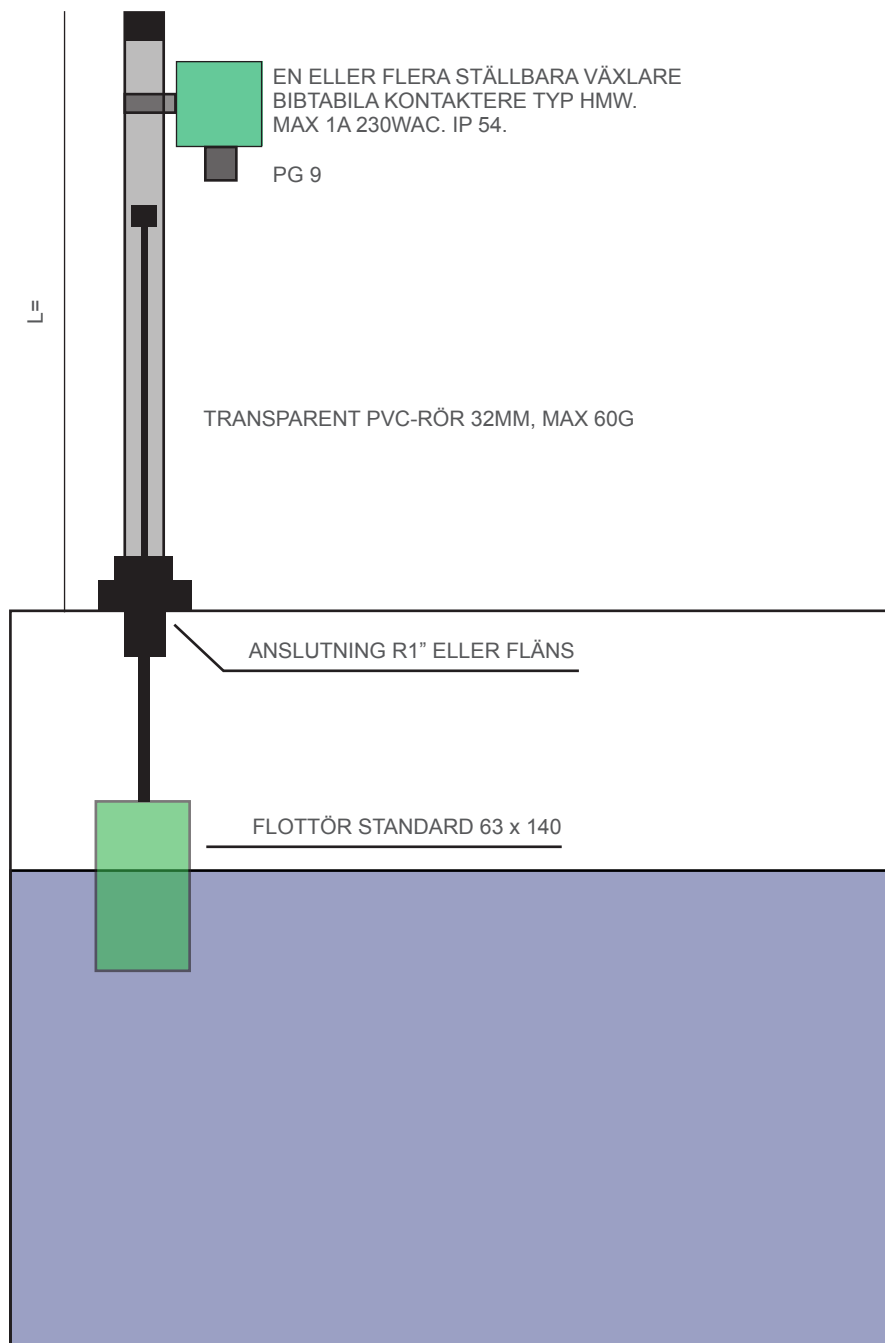
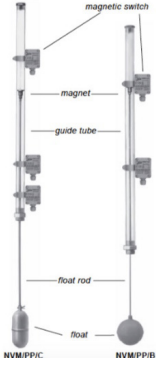


## NIVÅVAKT TYP NVM MED STÄLLBARA KONTAKTER OCH TRANSPARENT PVC RÖR





## NIVÅVAKT TYP NVM MED STÄLLBARA KONTAKTER OCH TRANSPARENT PVC RÖR

### NVM/PP/. level controllers Magnetically operated liquid level controllers

These level controllers are fitted with a float, a float rod and a magnet.

The float follows the level of the liquid and moves the float rod of the unit up or down. Above the nipple a guide tube is attached for the float rod and the magnet. Adjustable HMW/.32 magnetic switches are mounted on the outside of the tube.

These magnetic switches have a so-called bistable characteristic; i.e. they remain in the switching status caused by the influence of the passing magnet and only switch over when the magnet passes by in the opposite direction.

**These units are not suitable for use on vibrating machines or on tanks exposed to the risk of shock or vibration.**

#### Technical data

	NVM/PP/C	NVM/PP/B
Float material	Ø 63 mm x 140 mm high	Ø 85 mm (ball)
Float dimensions	6 mm	
Float rod diameter	stainless steel 316 Ti or titanium	
Float rod material	as required, measured from the nipple sealing surface and without float (dimension L)	
Float length	700 mm   800 mm	1,200 mm   1,200 mm
Max. length of the float rod for liquids with a specific gravity of 1 g/cm <sup>3</sup> (dimension L)	1,200 mm	1,200 mm
- stainless steel 316 Ti	PP	
- titanium	PP, on request: stainless steel 316 Ti	
Float rod brushing material	G1	
Guide tube material	square flange made of or stainless steel	flange DN 100 of PP, PVDF, steel or bigger made of or stainless steel any material
Guide tube dimensions	POM; PTFE on request	
Mounted magnetic switches	transparent PVC	
Mounting orientation	Ø 32 mm x L + 65, other lengths on request	
Temperature application range	vertical	
Pressure resistance	from + 1°C to + 60°C	
Option	for pressureless applications only	
	chemical protection, consisting of: - shrinkdown tubing made of PVDF covering the float rod (float rod length up to max. 500 mm), - PP adapter between rod and float, - float rod bushing piece made of PTFE instead of POM	

